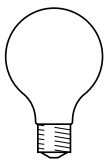


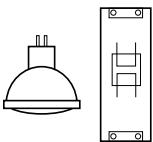
- Two gang PIR Dimmer
- Replaces a standard light switch or dimmer
- Turns off automatically
- Turns on automatically
- Security mode
- Night light mode\*
- Scene setting and soft on/off\*

\* only available using remote control

### Compatible lamps



Mains tungsten GLS filament or halogen lamp  
Min 60W per output  
Max 150W per output



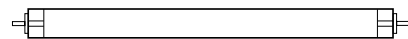
Low voltage halogen with transformer  
Min 60W per output  
Max 150W per output

Transformer must be suitable for leading edge dimming

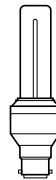
### Incompatible lamps



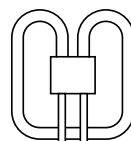
Linear fluorescent



Standard compact fluorescent (CFL) or low energy lamps or CFL dimmable lamps

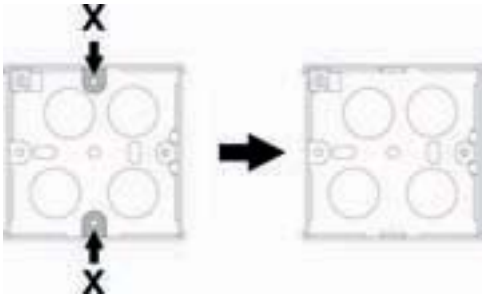


2D fluorescent



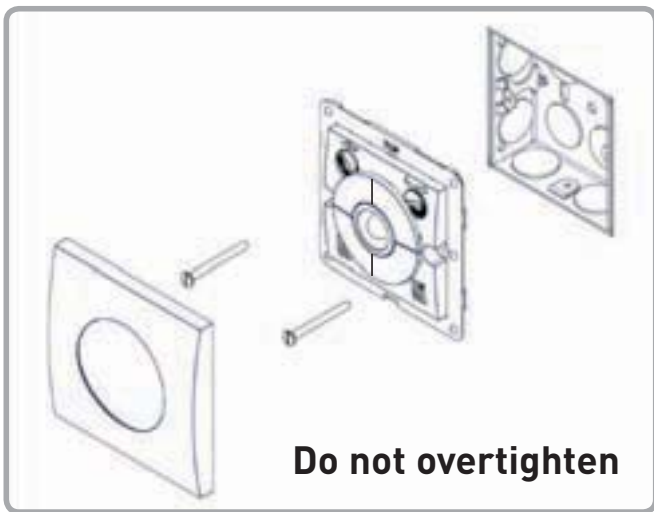


# installation



Compatible with all BS4662 dimensions back boxes.

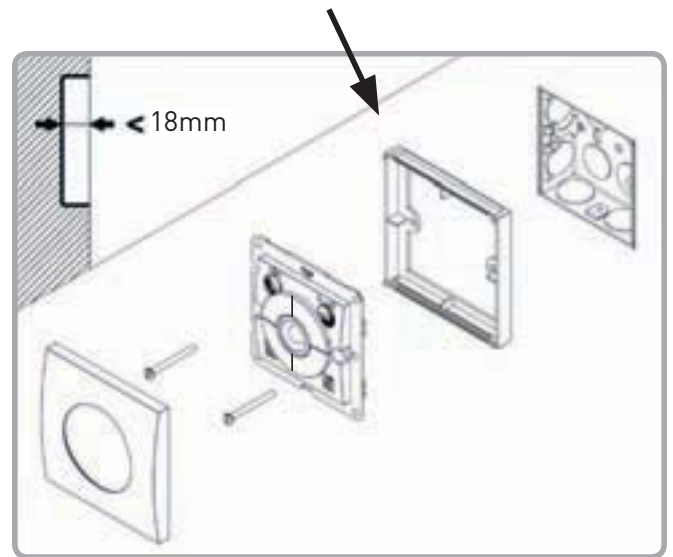
Remove top and bottom lugs if fitted.



This product should be installed in accordance with the current IEE wiring regulations. If in doubt consult a qualified electrician.

Use the extender if there is less than 18mm free space.

REMEMBER—put the wires through the extender before connecting.



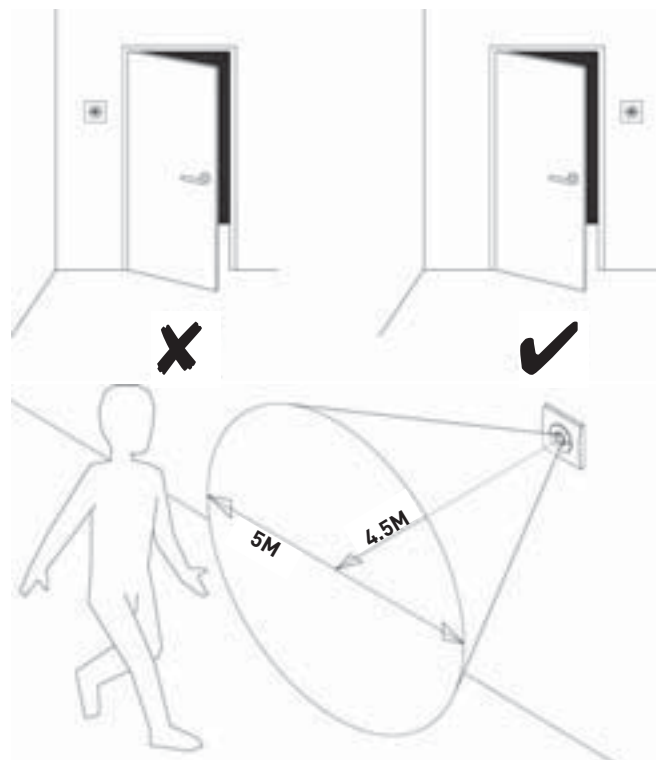
## Location

It is important to locate the detector so that any occupants fall within the detection zone shown on the diagram.

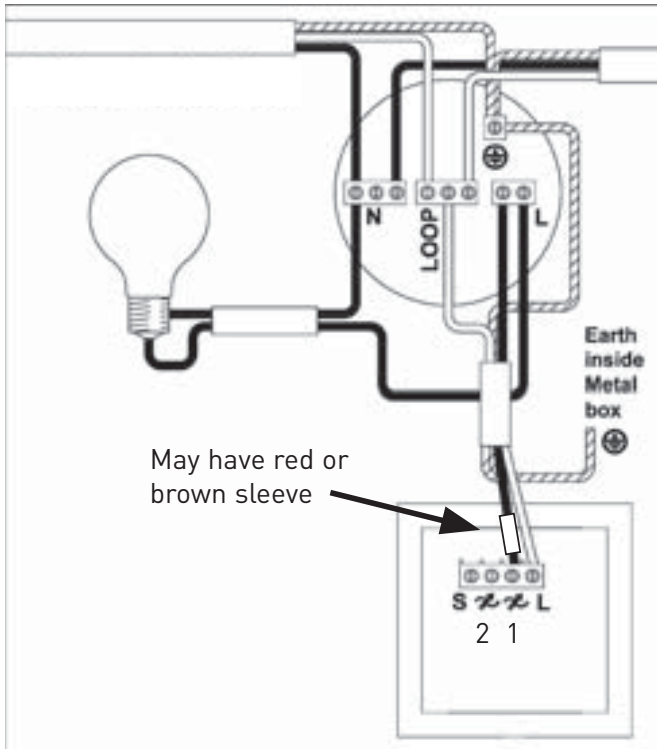
Do not block the sensor with a door or other object.

Do not install above a radiator or other heat source.

Avoid direct sunlight entering the sensor.



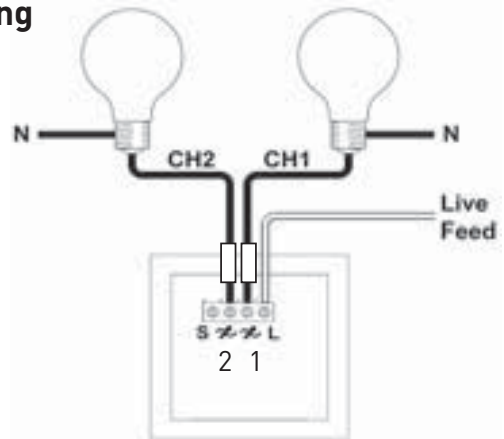
Detection zone



## 1 way switching

If the lights are controlled from one location only, wire as in the diagram. The diagram shows a single output being used – for two gang switching simply duplicate using the other output.

## 2 Gang

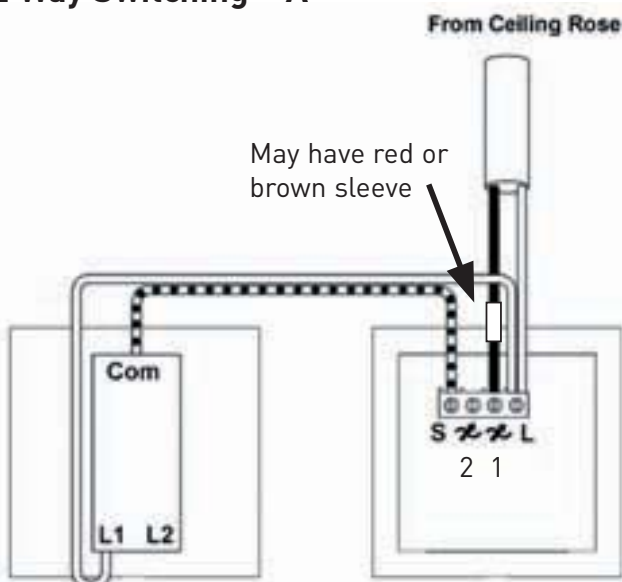


Neutral		Black or Blue
Live		Red or Brown
Earth		Yellow Green
Strapper		Yellow or Grey

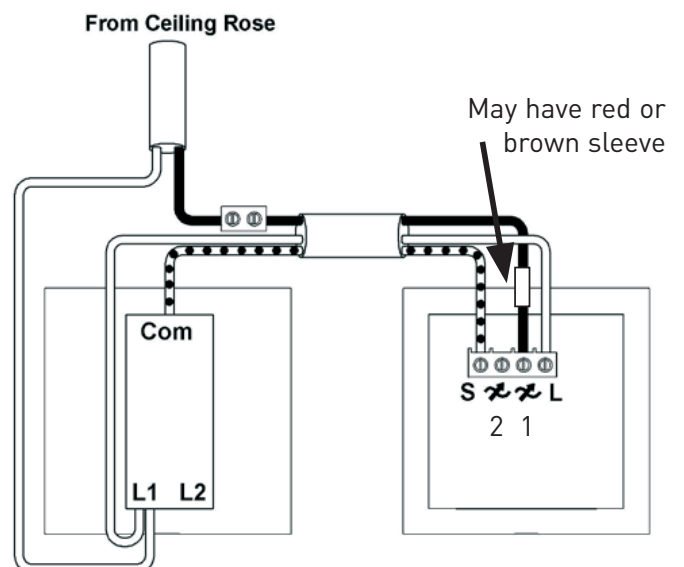
## 2 way switching

Where lighting is switched from more than one location, this unit can be used with another single gang light switch. N.B. do not use with another dimmer switch. Depending on the installation, wire using one of the diagrams below.

### 2 Way Switching – A

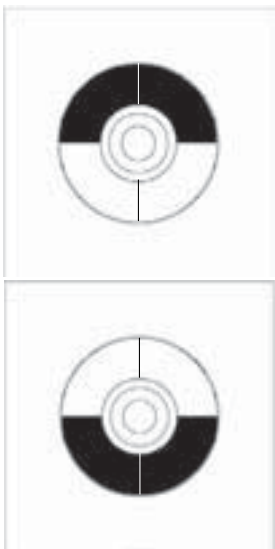
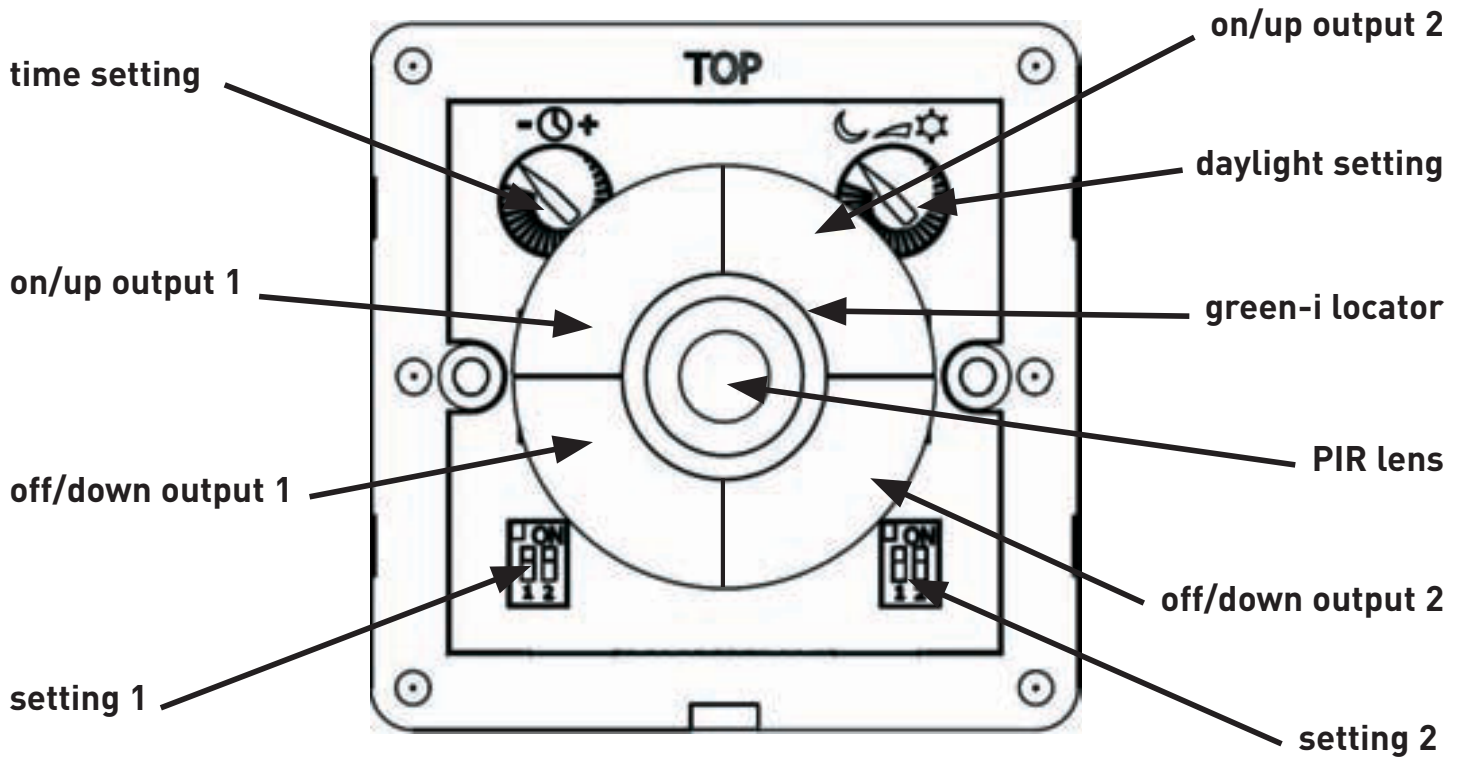


### 2 Way Switching – B





## operation



Short press left or right – lights on output 1 or 2

Long press left or right – lights dim up output 1 or 2

Double click – extends time period to 2 hours and flashes locator. Useful when occupant is still for along period e.g. watching television

### When lights on

Short press left or right – lights off output 1 or 2

Long press left or right – lights dim down output 1 or 2

### When lights off

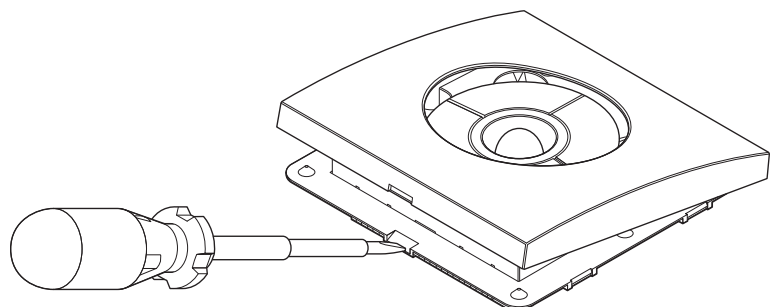
Long press – change brightness of green-i locator

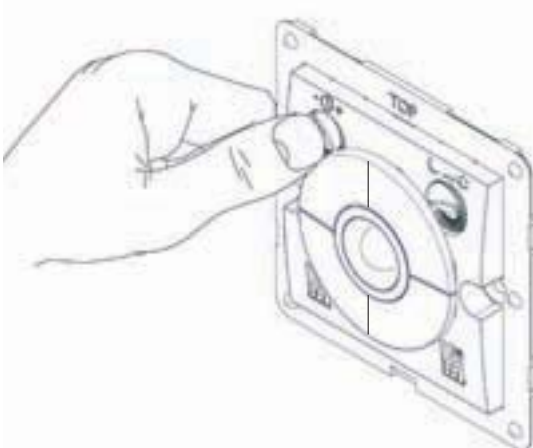


## setup

### Remove front cover

Use a flathead screwdriver or similar to gently prise off the cover and replace with new one by snapping on to switch.





### Time setting 1min – 30min

The lights will turn off after the time setting has finished. When a movement is detected, the time starts again. Clockwise = longer delay.

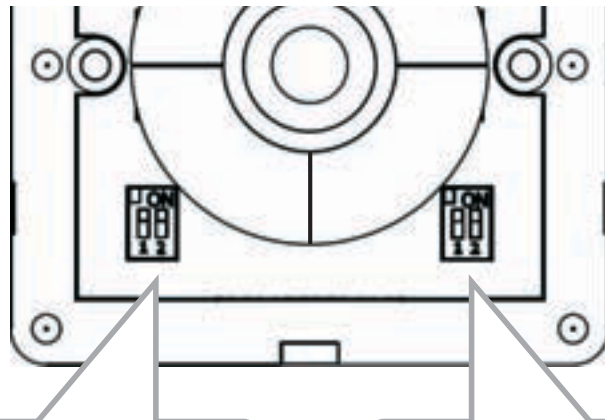
Recommended setting: 20 minutes living room, 10 minutes bedroom

### Daylight setting

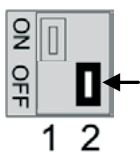
**Auto on mode** – in this mode only, if there is enough daylight the lights will not turn on automatically.

Adjust the level using this setting. Clockwise = turn on with brighter daylight.

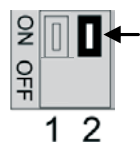
**green-i locator** – when there is enough daylight the locator turns off to save energy. Clockwise = turn on with brighter daylight.



PIR occupancy sensor deactivated. Dimmer only.

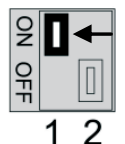


Manual on (use on button):  
Auto off (when nobody in the room, after time period).



Auto on (when somebody enters room):  
Auto off (when nobody in the room, after time period).

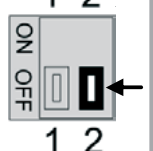
Security mode activated.  
4 hours time selected (see remote handset for details).

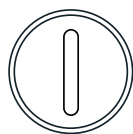
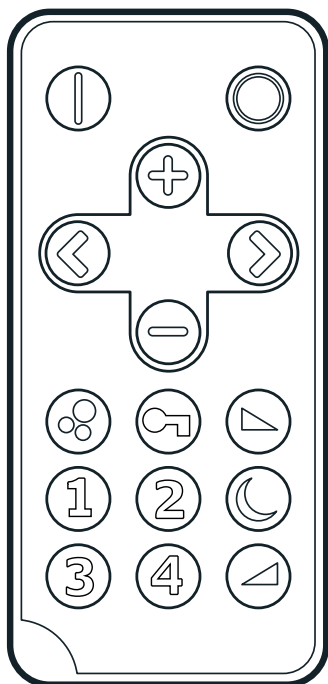


Security mode deactivated  
(can be overridden by remote handset).

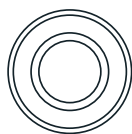


Master reset. Flick switch on then off within 2 seconds to restore factory default settings.





turn lights on



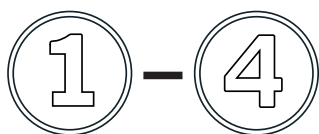
turn lights off



dim up



dim down



set lights to preset scene number

To set scene levels:

- adjust lights to desired level
- store scene using this sequence



set



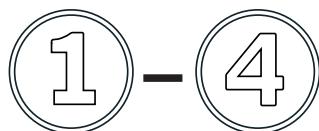
scene



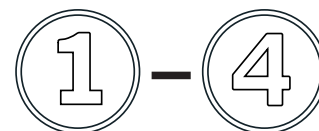
scene number



+



+



Soft on – how quickly the lights turn on

- 1** Immediate
- 2** 2 sec
- 3** 7 sec
- 4** depends on measured light level. If it is very dark, the lights will dim the lights up slowly for maximum user comfort.

Soft off – how quickly the lights turn off

- 1** Immediate
- 2** 2 sec
- 3** 7 sec
- 4** 10 sec



**Night light** – off level, useful for children’s bedrooms. Level can be overridden using down button.

- 1 Off
- 2 10%
- 3 20%
- 4 30%

**Security mode** – lights turn on when dark for period of time below

- 1 Off
- 2 2 hours
- 3 4 hours
- 4 6 hours

Battery change  
Use only Lithium coin cell CR2025.



button not used



## special features

### Overload protection

An internal temperature sensor on the device ensures that if the unit is overloaded or the ambient temperature rating is exceeded then no permanent damage is caused to the unit. When an excessive temperature is measured, the output will dim down until the correct temperature is restored. The green-i locator will flash to warn that this is happening.

### Adaptive dimming control

To enable the correct dimming level to be selected easily by the user, the off button is disabled for a short period of time during adjustments, enabling it to be used just for down control.

### Security mode

If your house is vacant and you want the lights to give the impression that someone is in, use the security mode. Shortly after it gets dark outside (15 minutes) the lights will turn on, and then turn off after a preset period of time. The dimming level for security mode will be the last level used or 50% whichever is greater.

### Soft on

To prevent the discomfort of bright lights turning on when you wake up, this mode senses the daylight level and if it is very dark will dim the lights up slowly for maximum user comfort.





## troubleshooting

### Lights turn off even though room is occupied

- Check location of sensor – see detection diagram
- Increase timing, typically 15 minutes for a living area
- When still for a long time, double click up button

### Lights never turn off

- Is PIR activated – see switch settings
- The lights will only turn off after no movement is detected for the time period.  
Is the time period set too long?

### The unit gets warm when on

- It is completely normal for the front of the unit to feel slightly warm

### The lights won't dim up or down or flicker

- Are they compatible – see the guide on the first page?
- Is the total wattage higher than the minimum load?
- Ensure that when using low voltage lighting the transformer is dimmable

### The green-i locator is off or dim

- This is only on when the lights are off
- The brightness of the locator can be changed by pushing and holding the down button when the lights are off
- The locator turns off automatically to save energy when there is sufficient daylight – adjust the daylight setting knob to change the level



## ratings



EMS 534520



FM 45789



Voltage 230VAC +/- 10%

Frequency 50Hz

Temperature 0°C to 35°C

Power see ratings on front page

Compliance BS EN60669-2-1 & BS EN55015

UK and international patents pending  
EU registered design no. 000638069-0003,  
000638069-0004



CP Electronics  
Brent Crescent  
London  
NW10 7XR

T: + 44 (0)333 900 0671

F: + 44 (0)333 900 0674

[www.cpelectronics.co.uk](http://www.cpelectronics.co.uk)

[enquiry@cpelectronics.co.uk](mailto:enquiry@cpelectronics.co.uk)